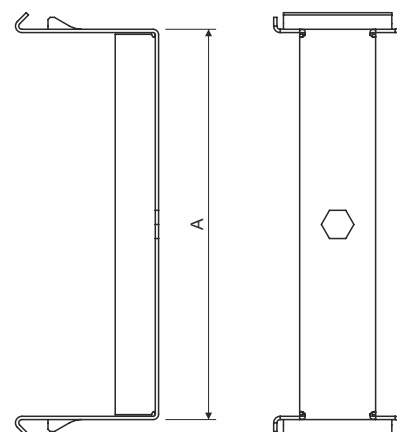
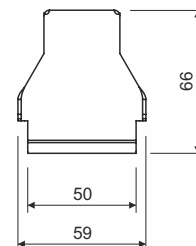
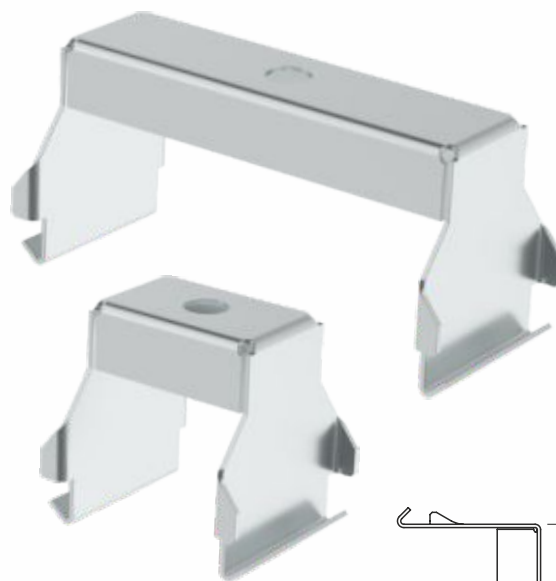


type number	A (mm)	weight (kg/pc)
ZVNE 50_S		0,10
ZVNE 50_F	30	0,12
ZVNE 50_ZM		0,10
ZVNE 62_S		0,11
ZVNE 62_F	42	0,12
ZVNE 62_ZM		0,11
ZVNE 75_S		0,12
ZVNE 75_F	55	0,14
ZVNE 75_ZM		0,12
ZVNE 100_S		0,14
ZVNE 100_F	80	0,16
ZVNE 100_ZM		0,14
ZVNE 125_S		0,16
ZVNE 125_F	105	0,18
ZVNE 125_ZM		0,16
ZVNE 150_S		0,18
ZVNE 150_F	130	0,21
ZVNE 150_ZM		0,18
ZVNE 200_S		0,22
ZVNE 200_F	180	0,24
ZVNE 200_ZM		0,22
ZVNE 250_S		0,27
ZVNE 250_F	230	0,30
ZVNE 250_ZM		0,27
ZVNE 300_S		0,31
ZVNE 300_F	280	0,34
ZVNE 300_ZM		0,31
ZVNE 400_S		0,39
ZVNE 400_F	380	0,43
ZVNE 400_ZM		0,39



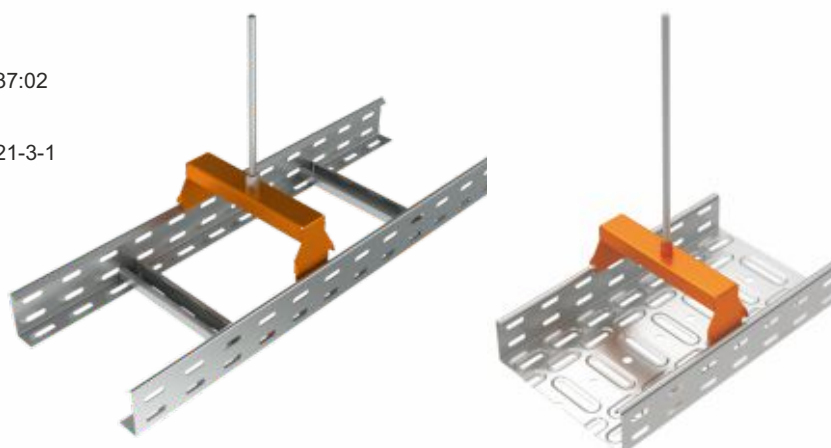
product description: The internal suspension is used to suspend the cable tray or cable ladder from the threaded rod. The threaded rod is anchored to the hanger using an MN nut, which must be ordered separately. The dimension of the nut is chosen by the diameter of the threaded rod. Fixing the outer hanger to the route is done with bent edges of the sidewalls of each other. The hanger allows the installation of partition in the cable route. Maximum load is 90 kg.

surface finish: S - Pre-Galvanized according to EN 10346, EN 10143, zinc-layer 15-27 µm
 F - Hot Dip Galvanized according to ČSN EN ISO 1461, zinc-layer 45 µm (min. 35 µm)
 ZM - galvanized steel with admixture of magnesium and aluminum according to EN 10346, EN 10143, protective layer 18-31 µm

sales amount: 1 pc

meets the requirements: ČSN EN 61537:02

storage: ČSN EN 60721-3-1



 **WARNING****Risk of injury from cutting**

Although the cable trays are produced with maximum effort to minimize sharper edges, it is necessary to wear protective gloves to carry, grip and work with cable elements.

Risk of system collapse

It is essential to strictly adhere to the maximum load limits for individual cable support systems and ensure proper installation according to the installation manual. The load capacity charts for each system are provided in the manufacturer's catalog, available in printed form or on the manufacturer's website. The specified load limits do not account for any additional loads, such as snow, wind, or seismic forces.

Electricity injury

As individual components of cable management systems are made of electrical conductive material, it is essential not to work with a system near live electrical parts. Infringement of the safety regulations may cause serious injury of health or death.

Safe Use

Under normal and foreseeable conditions of use, there are no risks to consumers, provided that proper installation and usage are carried out in accordance with the installation manual.

recycling codes:



ZVNE



cardboard