

type number	A mm	for width of cable tray mm	thickness of metal sheet mm	max. load kg	weight kg/pc	🔥
<b>NP 100_S</b>	100	50	1,2	100	0,06	🔥
<b>NP 150_S</b>	150	100	1,2	100	0,08	🔥
<b>NP 200_S</b>	200	150	1,2	100	0,11	🔥
<b>NP 250_S</b>	250	200	1,2	100	0,14	🔥
<b>NP 300_S</b>	300	250	1,2	100	0,17	🔥
<b>NP 350_S</b>	350	300	1,2	100	0,20	🔥
<b>NP 100_ZM</b>	100	50	1,2	100	0,06	🔥
<b>NP 150_ZM</b>	150	100	1,2	100	0,08	🔥
<b>NP 200_ZM</b>	200	150	1,2	100	0,11	🔥
<b>NP 250_ZM</b>	250	200	1,2	100	0,14	🔥
<b>NP 300_ZM</b>	300	250	1,2	100	0,17	🔥
<b>NP 350_ZM</b>	350	300	1,2	100	0,20	🔥



product description:

The load bearing profile is intended as a support for the installation of cable ladders or trays. The load bearing profile is fixed by using two threaded rods ZT 8 + nut M 8 + washer PD 8.

The size of the load bearing profile is determined according to the width of the cable tray or cable ladder + 50 mm, for example for a cable tray that is 100 mm wide, order NP 150.

ZM surface finish load bearing profile shall be used for ZM or F surface finish trays.

These items can also be ordered in a varnished version.

surface finish:

S - Pre-Galvanized steel according to ČSN EN 10346, ČSN EN 10143, zinc-layer 15-27 µm

ZM - Pre-Galvanized steel with admixture of magnesium and aluminum according to ČSN EN 10346, ČSN EN 10143, protective layer 18-31 µm

sales amount:

á 1 pc

meets the requirements:

ČSN EN 61537:02

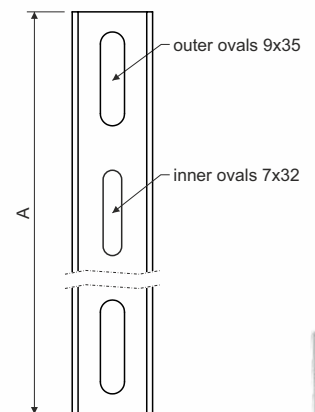
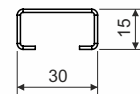
classification 🔥:

ČSN 73 0895                      P 90-R  
DIN 4102-12                      E 90  
STN 92 0205                      PS 90

Fire classification is depend on the specific conditions of the cable tray, detailed in the catalog Systems with maintained functionality in fire.

storage:

ČSN EN 60721-3-1



 **WARNING****Risk of injury from cutting**

Although the cable trays are produced with maximum effort to minimize sharper edges, it is necessary to wear protective gloves to carry, grip and work with cable elements.

**Electricity injury**

As individual components of cable management systems are made of electrical conductive material, it is essential not to work with a system near live electrical parts. Infringement of the safety regulations may cause serious injury of health or death.

**Safe Use**

Under normal and foreseeable conditions of use, there are no risks to consumers, provided that proper installation and usage are carried out in accordance with the installation manual.

recycling codes:



NP



cardboard