

item number	length (L) (mm)	weight (kg/pc)
SPS 200_F	200	0,86
SPS 300_F	300	1,12
SPS 400_F	400	1,37
SPS 500_F	500	1,62
SPS 600_F	600	1,88
SPS 800_F	750	2,25
SPS 1000_F	1000	2,89
SPS 1200_F	1200	3,39

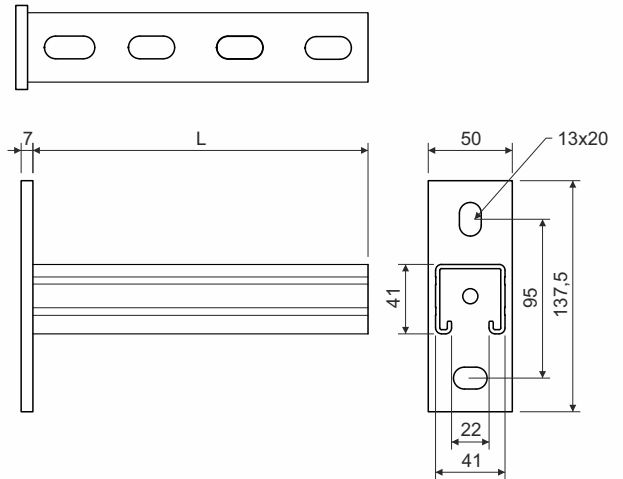


product description: The ceiling profile is used as an element to create a supporting structure for a cable tray and to attach it to the ceiling or floor.

Designated for fastening of the brackets DLN, DSN, DS, DT with the use of sliding nut PM 41 M 10 and the bolt with a hexagonal head S 10X20. For double-sided mounting, the DT brackets are attached using S 10X70 bolts, M 10 nuts and PD 10 washers.

The ceiling profile can also be used as a support for cable trays on the wall or on the ceiling profile.

For safety purposes, the end of the profile may be fitted with an OKSPS protective cover.



surface finish: F - suitable for indoor and outdoor installations (min. 1000 hours salt spray test according ISO 9227)

sales amount: 1 pc

classification : ČSN 73 0895 P 90-R
 DIN 4102-12 E 90
 STN 92 0205 PS 90

Fire classification is depend on the specific conditions of the cable tray, detailed in the catalog Systems with maintained functionality in fire

products are approved for standard and non-standard constructions

storage: ČSN EN 60721-3-1

