

item number	L	B	H	weight	max.
					load
	mm	mm	mm	kg/pc	F per L/2
					kN
DTN 100_F	110	40	45	0,16	2,5
DTN 150_F	160	40	45	0,19	2,5
DTN 200_F	210	40	55	0,28	2,5
DTN 250_F	260	40	55	0,32	2,5
DTN 300_F	310	50	65	0,59	2,5
DTN 400_F	410	50	75	0,79	2,5
DTN 500_F	510	50	90	1,11	2,5
DTN 600_F	610	50	90	1,35	2,5



product description: The bracket is used as an element to create a supporting structure for a cable tray.

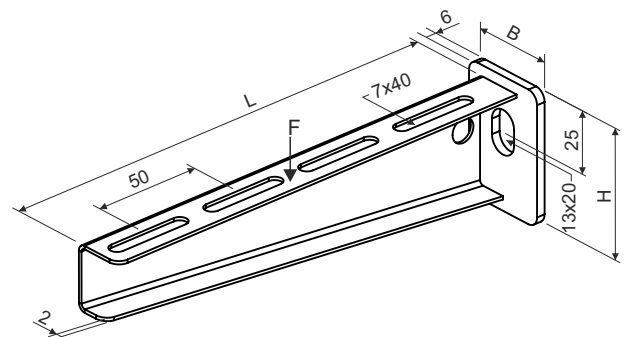
It is designated for installation on the wall or on the ceiling profile SPLN, SPSN, SPU, SPL, SPS.

Fix to the ceiling profile SPLN, SPSN or SPU using bolt S 10X20, nuts M 10 and washer PD 10.

Fix to the ceiling profile SPL or SPS using sliding nut PM 41 M 10 together with the bolt S 10X20.

The bracket is fastened to the wall using Ø 10-12 mm anchor.

Cable tray or cable ladder attaching to the bracket is carried out by bolts NSM 6X10.



surface finish: F - Hot Dip Galvanized, zinc-layer 55 µm (min. 45 µm)

sales amount: á 1 pc

storage: EN 60721-3-1

