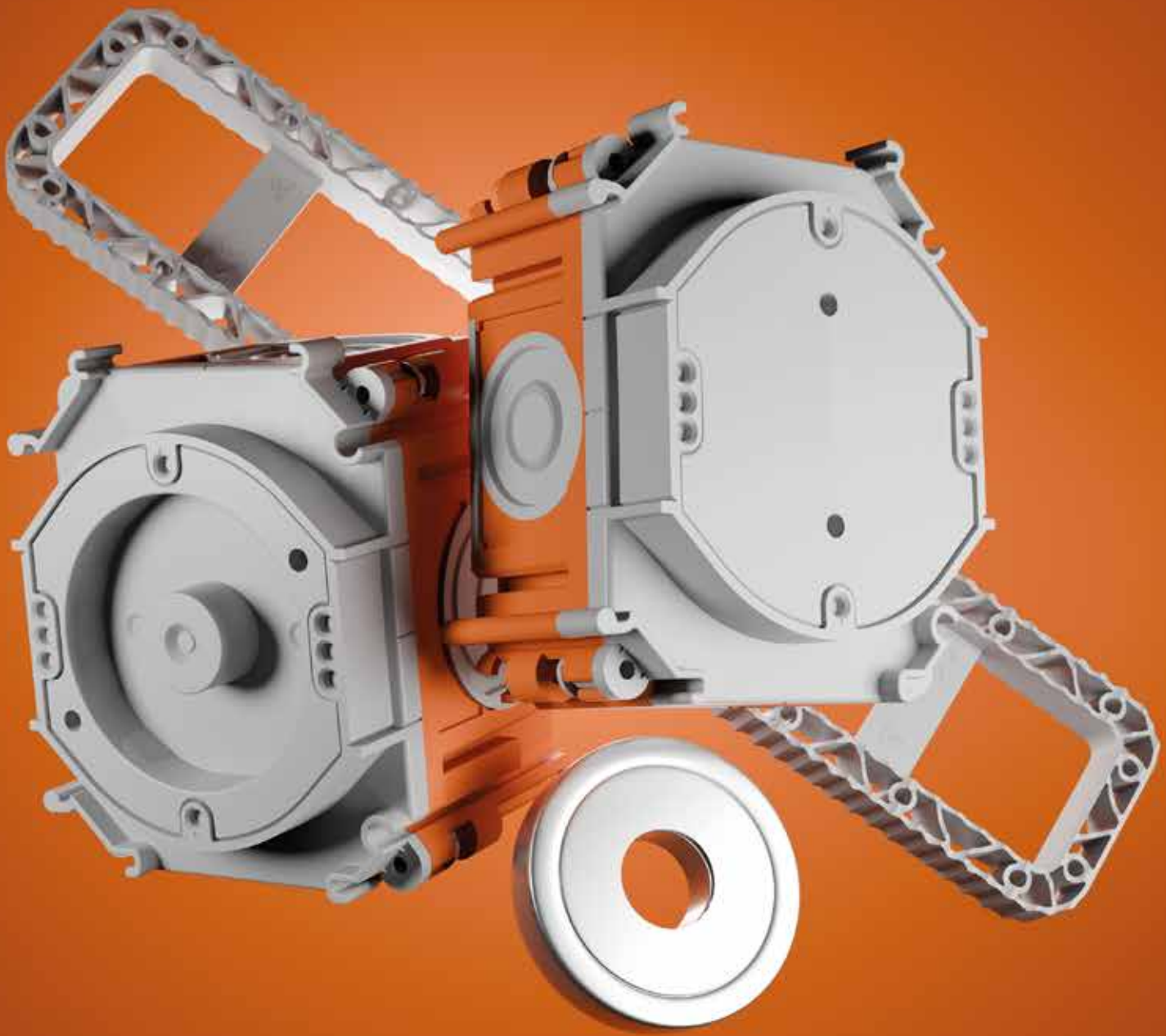




NEW

SYSTEM FOR CONCRETE

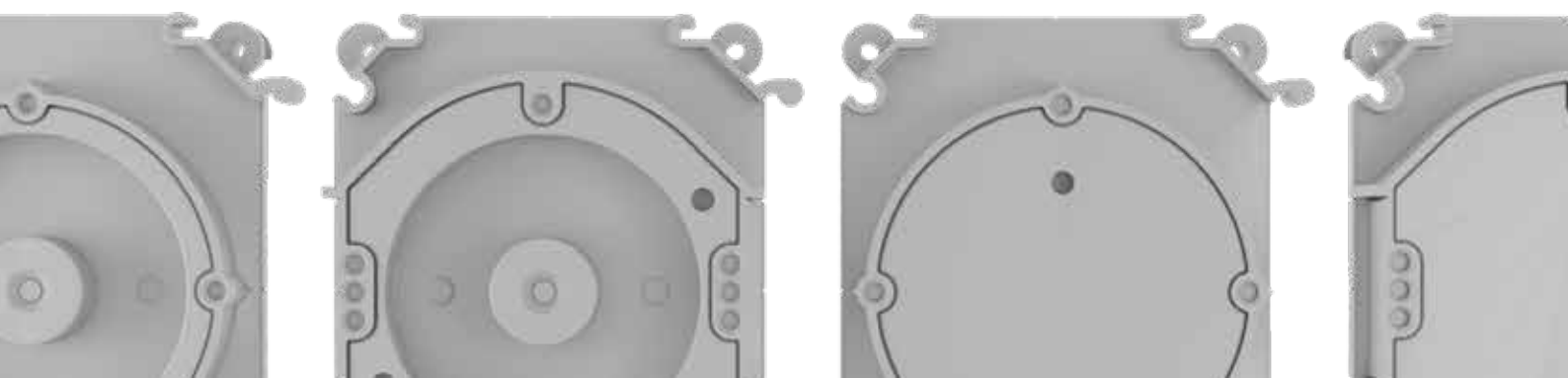


www.kopos.com

NEW SYSTEM FOR CONCRETE



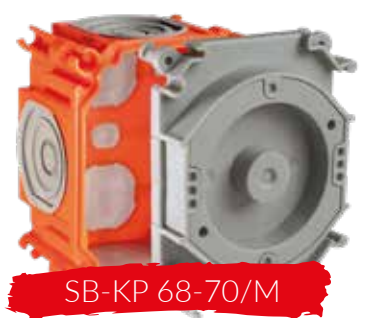
- eight types of wiring boxes
- sealed double injection design
- possibility to connect with a spacing of 71 mm for combined device frames and 90 mm for individual device
- the possibility of fixing using a magnet, a nail, mounting wings and gluing (depending on the selected type)
- halogen-free
- box and lid set under one item name



attachment
method



magnet
nail



nail
glue



ACCESSORIES



SB-M1

- fixing magnet for box sets containing the letter M in the name
- strength 50 kg



KBP-8

- steel rod with a diameter of 6 mm for fixing opposite assemblies



SB-P 1

- support for fixing the boxes into the concrete on the opposite side
- the possibility of fixing with a magnet or a nail



SB-MK 1

- flexible mounting wings for direct fixing into the metal formwork
- suitable for armature spacing of 15 to 30 mm or 30 to 50 mm



SB-H 50
SB-H 70

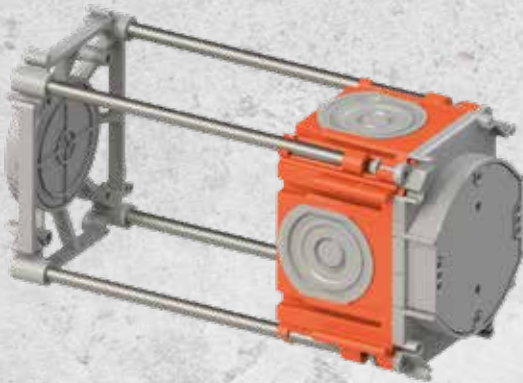
- hook for light fixture
- two lengths according to the chosen depth of the box
- cover included in the package



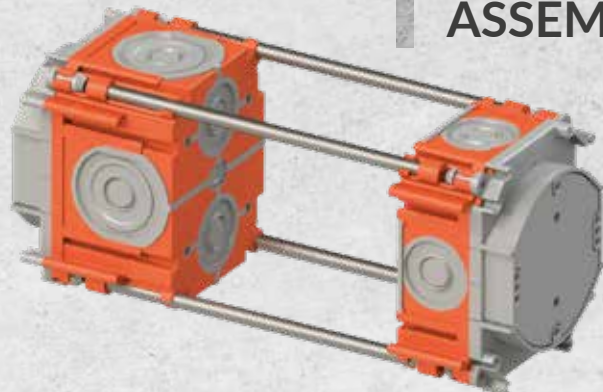
SB-ST 1

- Ceiling hook support for light fixture
- suitable for all types of boxes

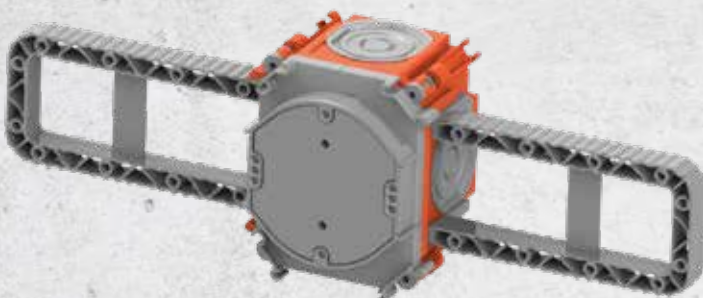
PRODUCT ASSEMBLY



example of fixing a box using a support and a steel rod with a diameter of 6 mm



example of two-sided installation of wiring boxes using a spacer steel rod with a diameter of 6 mm



example of an assembly for direct mounting onto a metal formwork using the mounting wings

ASSEMBLY INSTRUCTIONS

